

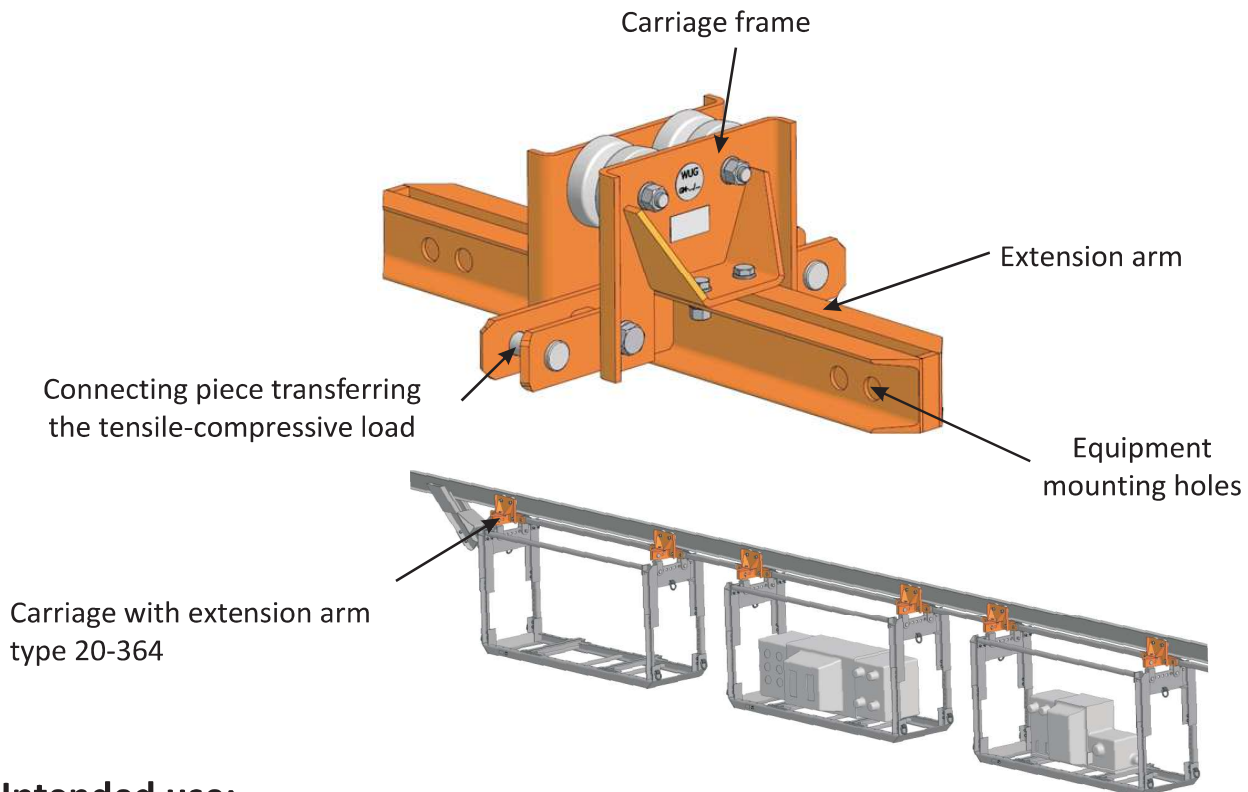
Name: Carriage with extension arm

Type: 20-364

Technical data:

Carriage load bearing capacity4 000 kg
Carriage length600-1100 mm
Carriage height280 mm
Carriage weight52-62 kg

Visual overview:



Intended use:

Type 20-364 carriage with an extension arm has been designed for transportation conducted by means of tracks of suspended monorails operating in underground mining facilities, in both non-methane and methane fields. The carriage is to be assembled in transportation sets of equipment transportation units driven by type 20-101 self-braking shifting devices. It may also be coupled directly or in a transportation set with a diesel locomotive, a handling trolley and another driving unit admitted for operation in underground mining facilities.

Additional information:

This product is provided with:

- » permit no. GM-83/15 issued by the President of the State Mining Authority (WUG) for operation in methane and non-methane fields of mining facilities,
- » declaration of incorporation of partly completed machinery,
- » declaration of the device option conformity with technical requirements.