

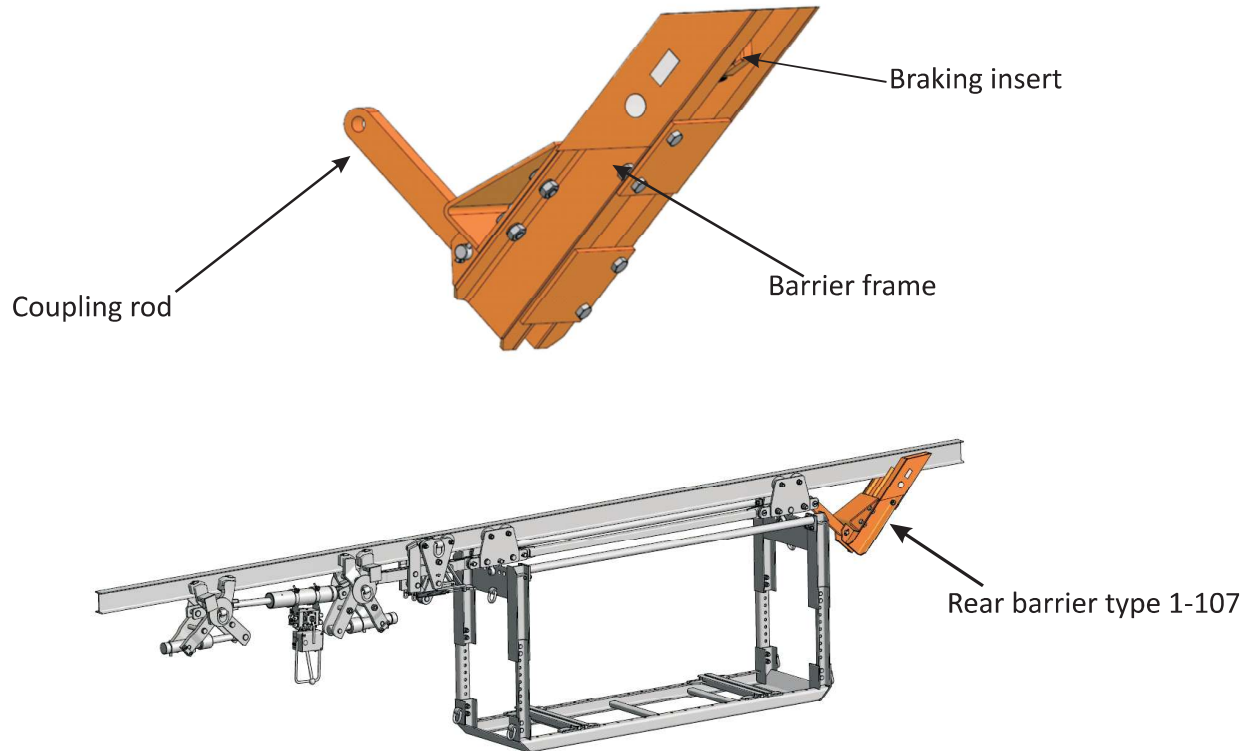
Name: Rear barrier

Type: 1-107

Technical data:

Barrier length1,300 mm
Frame width240 mm
Barrier weight84 kg
Hauling or pushing force60 kN
Travelling speed70 m/h max.
Rail profileI 155, I 140E, I 140V
Track inclination27° max.

Visual overview:



Intended use:

Type 1-107 rear barrier, being the transportation set's braking device, is to be assembled at the end of a transportation set travelling on the track of suspended monorails installed in underground mining facilities in both non-methane and methane fields.

The barrier has been designed for assembly in transportation sets of equipment transportation units driven by type 20-101 self-braking shifting devices. It may also be coupled directly or in a transportation set with another driving unit admitted to operation in underground mining facilities.

Additional information:

This product is provided with:

- » permit no. GM-70/15 issued by the President of the State Mining Authority (WUG) for operation in methane and non-methane fields of mining facilities,
- » declaration of the device option conformity with technical requirements.